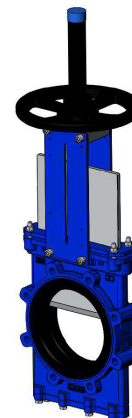


APPLICATION

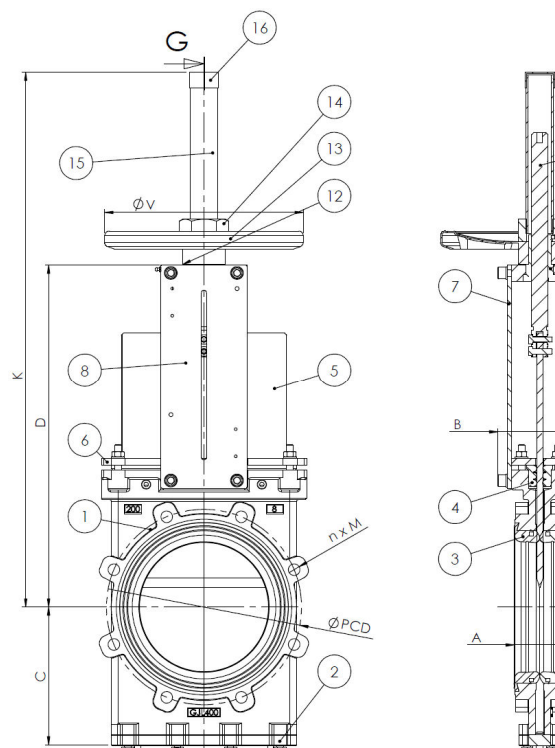
General use : water and waste water, powder and particles, pneumatic transport. /
Usage général : eau, traitement d'eau, eaux usées,
produits chimiques poudreux et cristallisants, cimenterie, transport pneumatique, stockage.

CARACTERISTIQUES GENERALES / General Characteristics

One piece body design and standard bidirectional
Removable end cover for easy maintenance and evacuation.
Full lug PN10, option CL150, PN16, PN20
Zero leakage with elastomer seat.
Body : GGG40, WCB, CF8, CF8M, SS316L, matériaux spéciaux sur demande. / Others upon request
Actuators: manual, lever, gear, pneumatic DA or SA, electric, hydraulic.



16	Cover	Plastic	Plastic
15	Tube	Steel	Steel
14	Nut	Steel	Steel
13	Handwheel	Steel	Steel
12	Gasket	Brass	Brass
11	Bushing	Bronze	Bronze
10	Bracket	Steel	Steel
9	Stem	SS304	SS304
8	Frame B	Steel	Steel
7	Frame A	Steel	Steel
6	Gland	Steel	CF8M
5	Gate	SS304	SS316
4	Packing	PTFE	PTFE
3	Sleeve	EPDM	EPDM
2	Cover	GGG40	316
1	Body	GGG40	CF8M
N°	Designation	KG12L10D-22E	KG12L10D-66E



CONDITIONS DE SERVICE :

Service Pressure	Seat température
DN50-400: 10bar DN450-600: 6bar	NBR : -10°C / +90°C EPDM : -20°C / +130°C NR : -40°C / +70°C FKM : -10°C / +180°C

DN (" / mm)	A	B	C	D	E	ØCyl DA	N	ØPCD	N x M
2" / 50	54	92	85	240	410	100	115	STD	STD
3" / 80	57	92	95	295	500	100	115	STD	STD
4" / 100	57	92	125	335	560	125	138	STD	STD
5" / 125	64	102	145	370	640	160	175	STD	STD
6" / 150	64	102	160	418	716	160	175	STD	STD
8" / 200	76	120	170	522	880	200	218	STD	STD
10" / 250	76	120	210	625	1042	250	270	STD	STD
12" / 300	83	120	275	725	1182	250	270	STD	STD
14" / 350	83	190	295	845	1360	250	270	STD	STD
16" / 400	95	190	320	945	1540	250	270	STD	STD
18" / 450	95	190	347	1045	1725	320	382	STD	STD
20" / 500	121	190	375	1148	1890	320	382	STD	STD
24" / 600	121	290	425	1360	2195	320	382	STD	STD